

## Q-NUT Заклепка гаечная со стандартным бортом, с насечкой

### Оцинкованная сталь

THREAD	PARTS NO.	GRIP RANGE	HOLE SIZE	D	B	K	L	I	P	S	KNURLS	SERR.	≥ TORQUE(Nm)	≥ TENSILE(kN)
M3-P0.5	02ST01F03010	0.5~3.0	Ø5.0	Ø4.9	Ø6.5	1,00	10,0	4,20	6,00	4,64	24T	30T	3,00	4,90
M4-P0.7	02ST01F04010	0.5~3.0	Ø6.0	Ø5.9	Ø8.5	1,00	10,0	4,80	6,50	5,64	24T	30T	4,50	5,00
M4-P0.7	02ST01F04020	3.1~4.0	Ø6.0	Ø5.9	Ø8.5	1,00	12,0	4,80	7,50	5,64	24T	30T	4,50	5,00
M5-P0.8	02ST01F05010	0.5~3.0	Ø7.0	Ø6.9	Ø9.5	1,00	12,0	5,70	6,50	6,64	24T	36T	5,40	11,00
M5-P0.8	02ST01F05020	3.1~6.0	Ø7.0	Ø6.9	Ø9.5	1,00	15,0	5,70	9,50	6,64	24T	36T	5,40	11,00
M6-P1.0	02ST01F06010	0.5~3.0	Ø9.0	Ø8.9	Ø12.5	1,50	14,5	7,60	7,20	8,64	30T	36T	11,00	17,70
M6-P1.0	02ST01F06020	3.1~6.0	Ø9.0	Ø8.9	Ø12.5	1,50	17,5	7,60	10,50	8,64	30T	36T	11,00	17,70
M8-P1.25	02ST01F08010	0.5~3.0	Ø11	Ø10.9	Ø15.5	1,50	16,0	9,50	7,70	10,64	36T	36T	29,00	27,50
M8-P1.25	02ST01F08020	3.1~5.5	Ø11	Ø10.9	Ø15.5	1,50	19,0	9,50	10,20	10,64	36T	36T	29,00	27,50
M10-1.5	02ST01F10010	1.0~3.5	Ø13	Ø12.9	Ø18.5	2,00	17,0	11,20	9,50	12,61	40T	36T	32,00	28,50
M10-P1.5	02ST01F10020	3.5~6.0	Ø13	Ø12.9	Ø18.5	2,00	22,0	11,20	12,00	12,61	40T	36T	32,00	28,50
M12-P1.75	02ST01F12020	1.0~4.0	Ø16	Ø15.9	Ø22.5	2,00	23,0	14,10	11,00	15,64	45T	60T	44,20	48,00
														UNIT : mm

### Нержавеющая сталь

THREAD	PARTS NO.	GRIP RANGE	HOLE SIZE	D	B	K	L	I	P	S	KNURLS	SERR.	≥ TORQUE(Nm)	≥ TENSILE(kN)
M3-P0.5	02SS01F03010	0.5~3.0	Ø5.0	Ø4.9	Ø6.5	1,00	10,0	4,20	6,00	4,64	24T	30T	3,50	5,40
M4-P0.7	02SS01F04010	0.5~3.0	Ø6.0	Ø5.9	Ø8.5	1,00	10,0	4,80	6,50	5,64	24T	30T	6,90	6,80
M5-P0.8	02SS01F05010	0.5~3.0	Ø7.0	Ø6.9	Ø9.5	1,00	12,0	5,70	6,50	6,64	24T	36T	10,00	11,80
M6-P1.0	02SS01F06010	0.5~3.0	Ø9.0	Ø8.9	Ø12.5	1,50	14,5	7,60	7,20	8,64	30T	36T	20,00	18,60
M8-P1.25	02SS01F08010	0.5~3.0	Ø11	Ø10.9	Ø15.5	1,50	16,0	9,50	7,70	10,64	36T	36T	29,00	27,50
M10-1.5	02SS01F10010	1.0~3.5	Ø13	Ø12.9	Ø18.5	2,00	17,0	11,20	9,50	12,61	40T	36T	38,00	29,50

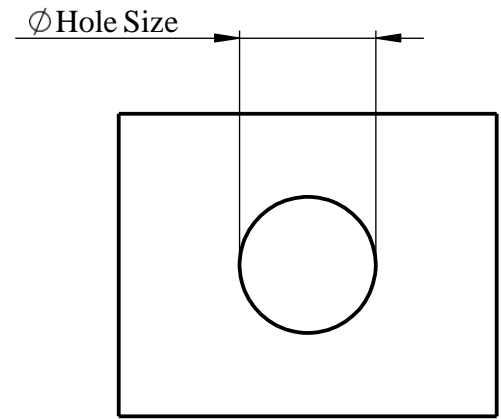
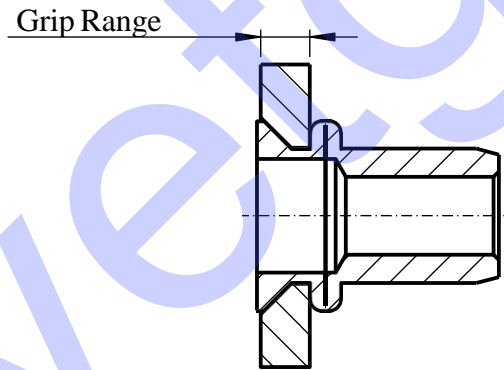
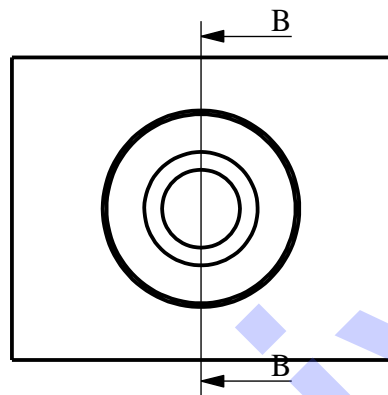
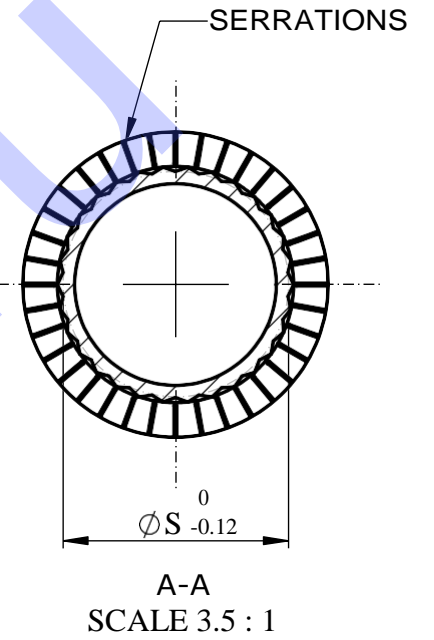
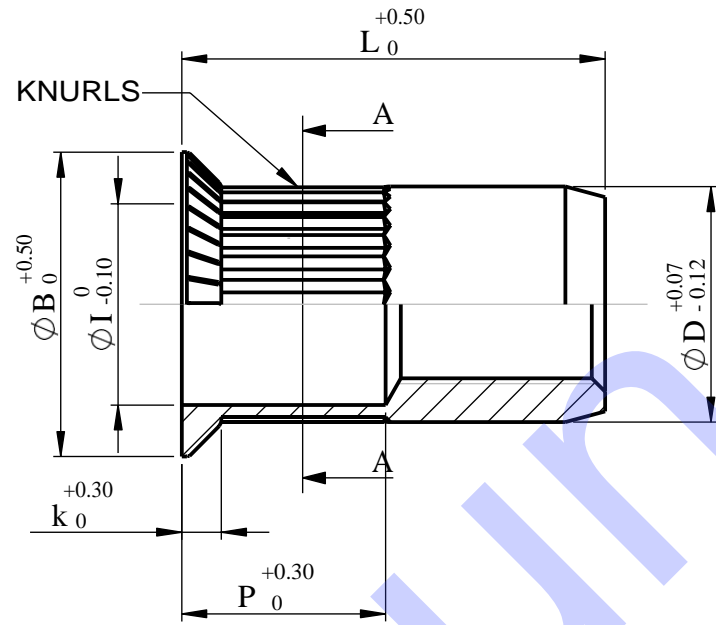
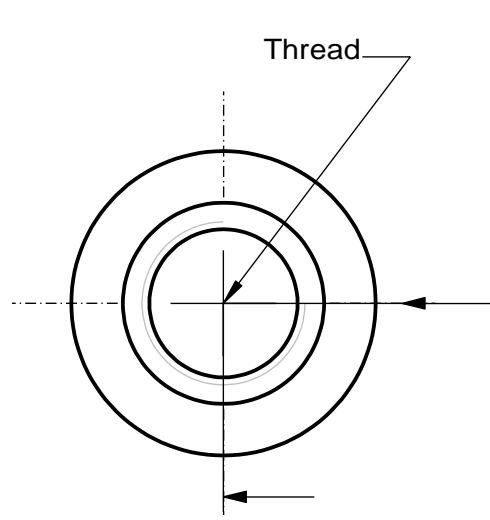
UNIT : mm

## Q-NUT Q-NUT Заклепка гаечная со стандартным бортом, с насечкой

### Алюминий

THREAD	PARTS NO.	GRIP RANGE	HOLE SIZE	D	B	K	L	I	P	S	KNURLS	SERR.	≥ TORQUE(Nm)	≥ TENSILE(kN)
M3-P0.5	02AL01F03010	0.5~3.0	Ø5.0	Ø4.9	Ø6.5	1,00	10,0	4,20	6,00	4,64	24T	30T	3,50	2,00
M4-P0.7	02AL01F04010	0.5~3.0	Ø6.0	Ø5.9	Ø8.5	1,00	10,0	4,80	6,50	5,64	24T	30T	4,00	2,80
M4-P0.7	02AL01F04020	3.1~4.0	Ø6.0	Ø5.9	Ø8.5	1,00	12,0	4,80	7,50	5,64	24T	30T	4,00	2,80
M5-P0.8	02AL01F05010	0.5~3.0	Ø7.0	Ø6.9	Ø9.5	1,00	12,0	5,70	6,50	6,64	24T	36T	5,00	4,90
M5-P0.8	02AL01F05020	3.1~6.0	Ø7.0	Ø6.9	Ø9.5	1,00	15,0	5,70	9,50	6,64	24T	36T	5,00	4,90
M6-P1.0	02AL01F06010	0.5~3.0	Ø9.0	Ø8.9	Ø12.5	1,50	14,5	7,60	7,20	8,64	30T	36T	9,00	9,20
M6-P1.0	02AL01F06020	3.1~6.0	Ø9.0	Ø8.9	Ø12.5	1,50	17,5	7,60	10,50	8,64	30T	36T	9,00	9,20
M8-P1.25	02AL01F08010	0.5~3.0	Ø11	Ø10.9	Ø15.5	1,50	16,0	9,50	7,70	10,64	36T	36T	10,00	13,70
M8-P1.25	02AL01F08020	3.1~5.5	Ø11	Ø10.9	Ø15.5	1,50	19,0	9,50	10,20	10,64	36T	36T	10,00	13,70
M10-1.5	02AL01F10010	1.0~3.5	Ø13	Ø12.9	Ø18.5	2,00	17,0	11,20	9,50	12,61	40T	36T	19,00	20,60
M10-P1.5	02AL01F10020	3.5~6.0	Ø13	Ø12.9	Ø18.5	2,00	22,0	11,20	12,00	12,61	40T	36T	19,00	20,60
M12-P1.75	02AL01F12020	1.0~4.0	Ø16	Ø15.9	Ø22.5	2,00	23,0	14,10	11,00	15,64	45T	60T	26,50	28,50

UNIT : mm



## Q-NUT Q-NUT Закlepka гаечная с потайным бортом, с насечкой

Оцинкованная сталь														
THREAD	PARTS NO.	GRIP RANGE	HOLE SIZE	D	B	K	L	I	P	S	KNURLS	SERR.	≥ TORQUE(Nm)	≥ TENSILE(kN)
M4-P0.7	02ST01C04010	1.5~3.5	Ø6.0	Ø5.9	Ø8.5	1,50	11,5	4,80	6,00	5,64	24T	30T	6,90	10,00
M5-P0.8	02ST01C05010	1.5~4.0	Ø7.0	Ø6.9	Ø9.5	1,50	13,5	5,70	7,00	6,64	24T	36T	10,40	11,70
M6-P1.0	02ST01C06010	1.5~4.5	Ø9.0	Ø8.9	Ø11.5	1,50	16,0	7,60	7,70	8,64	30T	36T	21,00	20,60
M8-P1.25	02ST01C08010	1.5~4.5	Ø11	Ø10.9	Ø13.5	1,50	19,0	9,50	8,20	10,64	36T	36T	30,00	27,50
M10-1.5	02ST01C10010	1.5~4.5	Ø13	Ø12.9	Ø15.5	1,50	21,0	11,20	8,70	12,61	40T	36T	33,00	32,50
														UNIT : mm

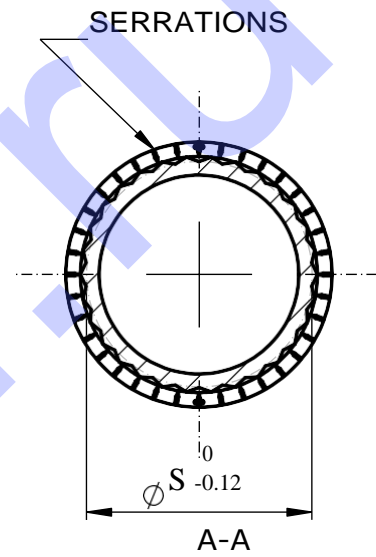
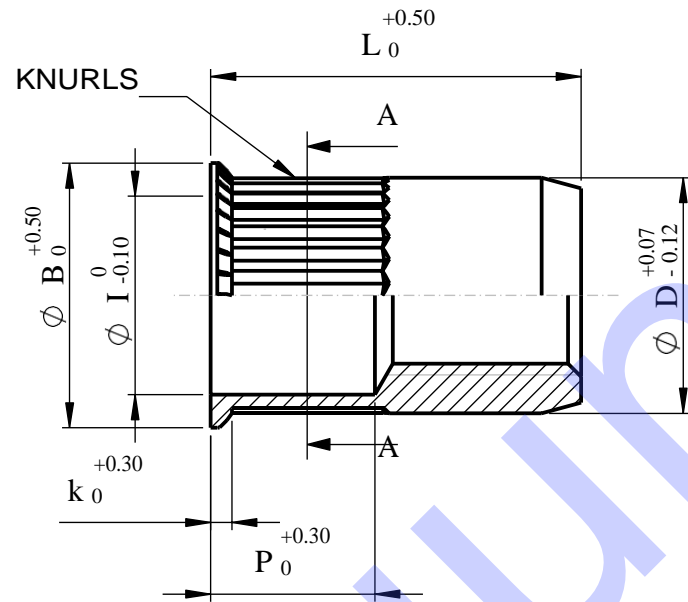
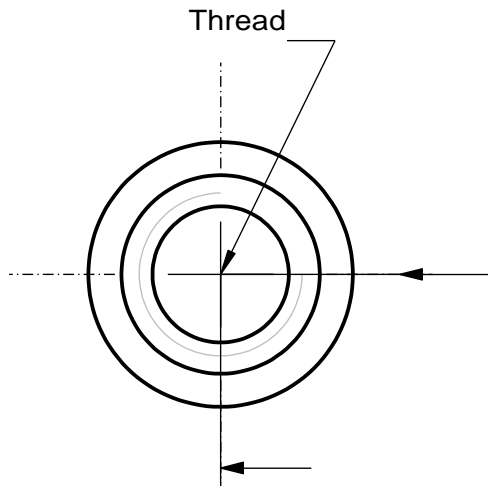
Нержавеющая сталь														
THREAD	PARTS NO.	GRIP RANGE	HOLE SIZE	D	B	K	L	I	P	S	KNURLS	SERR.	≥ TORQUE(Nm)	≥ TENSILE(kN)
M4-P0.7	02SS01C04010	1.5~3.5	Ø6.0	Ø5.9	Ø8.5	1,50	11,5	4,80	6,00	5,64	24T	30T	6,90	10,00
M5-P0.8	02SS01C05010	1.5~4.0	Ø7.0	Ø6.9	Ø9.5	1,50	13,5	5,70	7,00	6,64	24T	36T	10,40	11,70
M6-P1.0	02SS01C06010	1.5~4.5	Ø9.0	Ø8.9	Ø11.5	1,50	16,0	7,60	7,70	8,64	30T	36T	21,00	20,60
M8-P1.25	02SS01C08010	1.5~4.5	Ø11	Ø10.9	Ø13.5	1,50	19,0	9,50	8,20	10,64	36T	36T	30,00	27,50
M10-1.5	02SS01C10010	1.5~4.5	Ø13	Ø12.9	Ø15.5	1,50	21,0	11,20	8,70	12,61	40T	36T	33,00	32,50

UNIT : mm

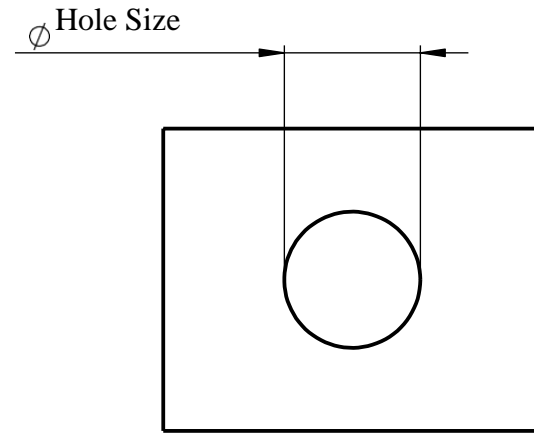
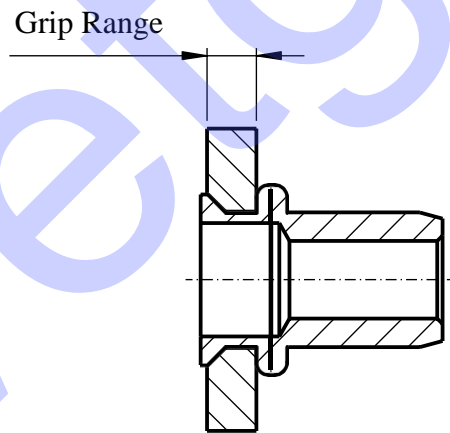
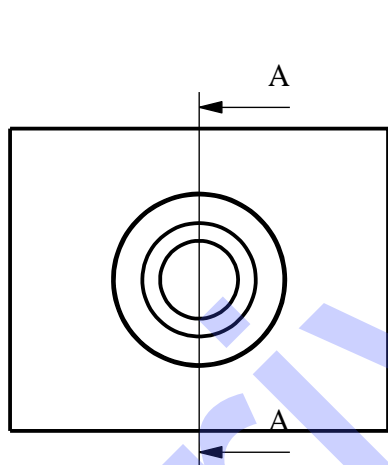
Алюминий														
THREAD	PARTS NO.	GRIP RANGE	HOLE SIZE	D	B	K	L	I	P	S	KNURLS	SERR.	≥ TORQUE(Nm)	≥ TENSILE(kN)
M4-P0.7	02AL01C04010	1.5~3.5	Ø6.0	Ø5.9	Ø8.5	1,50	11,5	4,80	6,00	5,64	24T	30T	4,00	2,80
M5-P0.8	02AL01C05010	1.5~4.0	Ø7.0	Ø6.9	Ø9.5	1,50	13,5	5,70	7,00	6,64	24T	36T	4,50	5,20
M6-P1.0	02AL01C06010	1.5~4.5	Ø9.0	Ø8.9	Ø11.5	1,50	16,0	7,60	7,70	8,64	30T	36T	8,50	9,70
M8-P1.25	02AL01C08010	1.5~4.5	Ø11	Ø10.9	Ø13.5	1,50	19,0	9,50	8,20	10,64	36T	36T	10,00	15,70
M10-1.5	02AL01C10010	1.5~4.5	Ø13	Ø12.9	Ø15.5	1,50	21,0	11,20	8,70	12,61	40T	36T	15,60	18,60

[rivetgun.ru](http://rivetgun.ru)

UNIT : mm



SCALE 3.5 : 1



## Q-NUT Q-NUT Заклепка гаечная с уменьшенным, с насечкой

Оцинкованная сталь														
THREAD	PARTS NO.	GRIP RANGE	HOLE SIZE	D	B	K	L	I	P	S	KNURLS	SERR.	≥ TORQUE(Nm)	≥ TENSILE(kN)
M4-P0.7	02ST01R04010	0.5~3.0	Ø6.0	Ø5.9	Ø6.5	0,50	10,0	4,80	5,20	5,64	24T	30T	4,00	6,50
M5-P0.8	02ST01R05010	0.5~3.0	Ø7.0	Ø6.9	Ø7.5	0,50	11,5	5,70	5,50	6,64	24T	36T	5,00	9,00
M6-P1.0	02ST01R06010	0.5~3.0	Ø9.0	Ø8.9	Ø9.5	0,50	14,0	7,60	6,20	8,64	30T	36T	10,00	16,70
M8-P1.25	02ST01R08010	0.5~3.0	Ø11	Ø10.9	Ø11.5	0,50	15,5	9,50	6,70	10,64	36T	36T	18,00	21,50
M10-1.5	02ST01R10010	0.5~3.5	Ø13	Ø12.9	Ø13.5	0,70	19,5	11,20	7,70	12,61	40T	36T	30,00	31,80
														UNIT : mm

Нержавеющая сталь														
THREAD	PARTS NO.	GRIP RANGE	HOLE SIZE	D	B	K	L	I	P	S	KNURLS	SERR.	≥ TORQUE(Nm)	≥ TENSILE(kN)
M4-P0.7	02SS01R04010	0.5~3.0	Ø6.0	Ø5.9	Ø6.5	0,50	10,0	4,80	5,20	5,64	24T	30T	6,90	6,90
M5-P0.8	02SS01R05010	0.5~3.0	Ø7.0	Ø6.9	Ø7.5	0,50	11,5	5,70	5,50	6,64	24T	36T	10,40	11,80
M6-P1.0	02SS01R06010	0.5~3.0	Ø9.0	Ø8.9	Ø9.5	0,50	14,0	7,60	6,20	8,64	30T	36T	21,20	18,60
M8-P1.25	02SS01R08010	0.5~3.0	Ø11	Ø10.9	Ø11.5	0,50	15,5	9,50	6,70	10,64	36T	36T	31,00	24,50
M10-1.5	02SS01R10010	0.5~3.5	Ø13	Ø12.9	Ø13.5	0,70	19,5	11,20	7,70	12,61	40T	36T	32,00	34,00
														UNIT : mm

Алюминий														
THREAD	PARTS NO.	GRIP RANGE	HOLE SIZE	D	B	K	L	I	P	S	KNURLS	SERR.	≥ TORQUE(Nm)	≥ TENSILE(kN)
M4-P0.7	02AL01R04010	0.5~3.0	Ø6.0	Ø5.9	Ø6.5	0,50	10,0	4,80	5,20	5,64	24T	30T	4,00	2,80
M5-P0.8	02AL01R05010	0.5~3.0	Ø7.0	Ø6.9	Ø7.5	0,50	11,5	5,70	5,50	6,64	24T	36T	4,50	5,20
M6-P1.0	02AL01R06010	0.5~3.0	Ø9.0	Ø8.9	Ø9.5	0,50	14,0	7,60	6,20	8,64	30T	36T	8,50	9,60
M8-P1.25	02AL01R08010	0.5~3.0	Ø11	Ø10.9	Ø11.5	0,50	15,5	9,50	6,70	10,64	36T	36T	10,00	15,70
M10-1.5	02AL01R10010	0.5~3.5	Ø13	Ø12.9	Ø13.5	0,70	19,5	11,20	7,70	12,61	40T	36T	15,60	18,60
														UNIT : mm



